

Wiring Diagrams

FOR SINGLE-STAGE THERMOSTATS

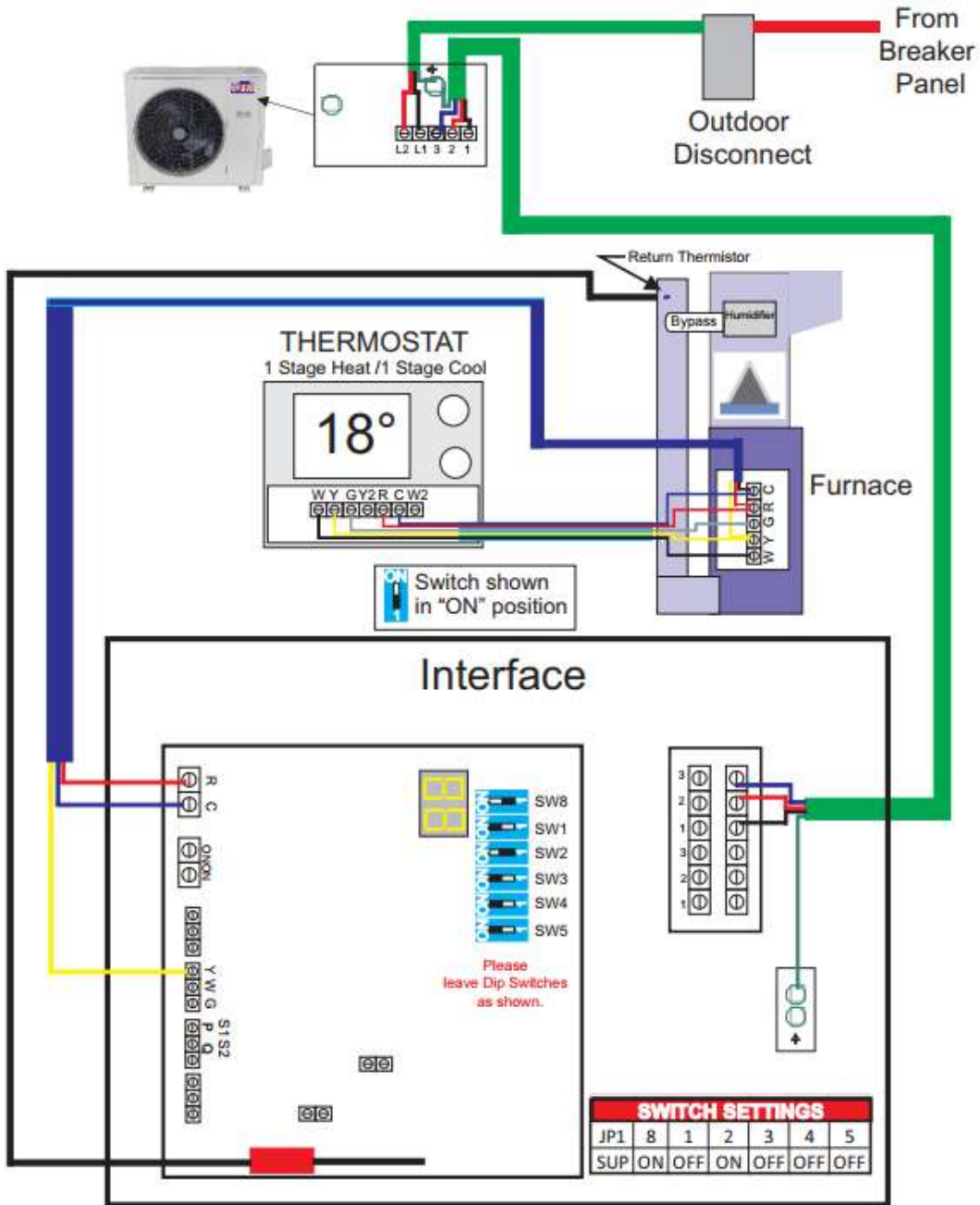


DIAGRAM SHOWS DEFAULT SETTINGS

MITS AIR SIDE DISCHARGE INVERTER AIR CONDITIONER FOR MULTI-STAGE THERMOSTATS

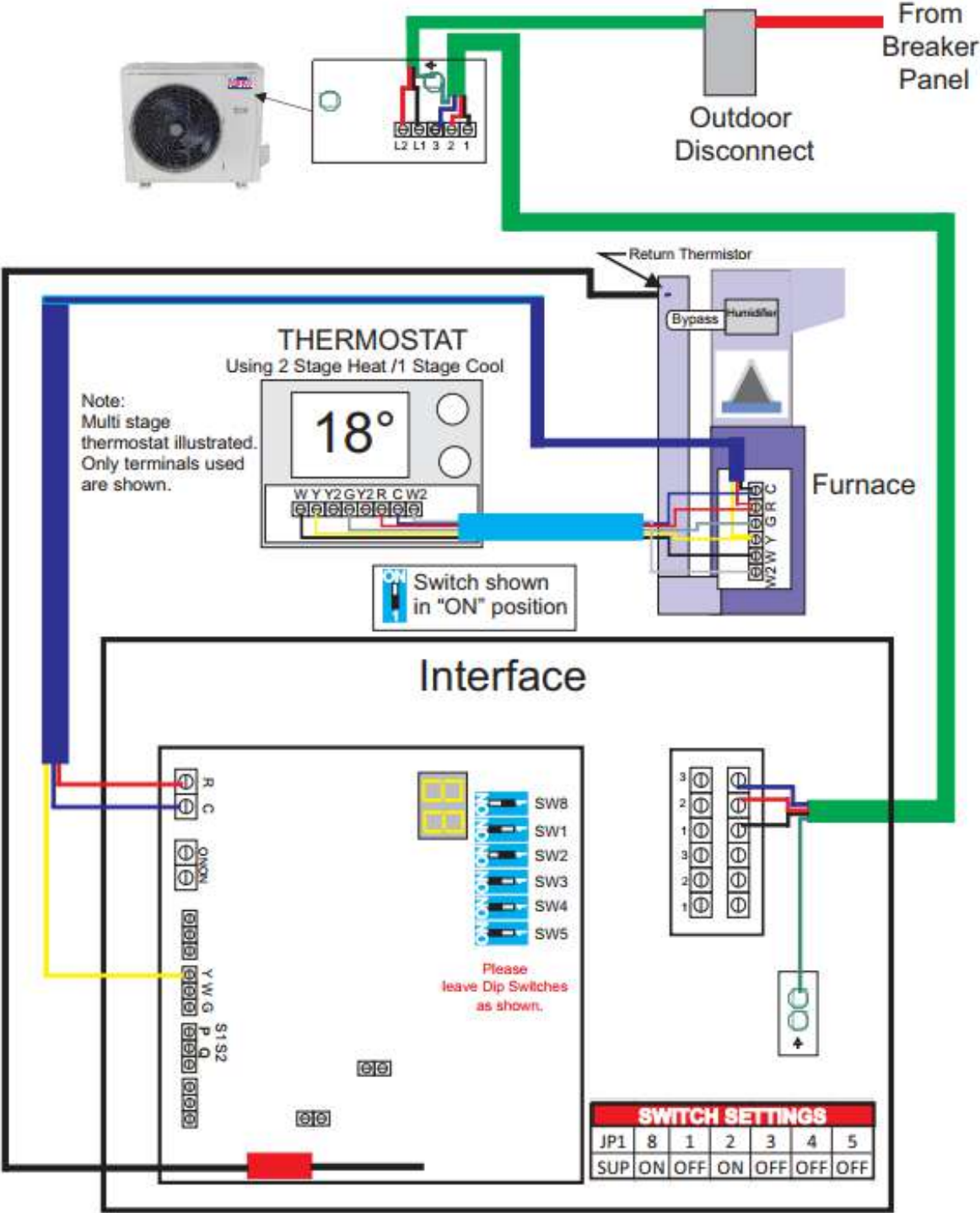
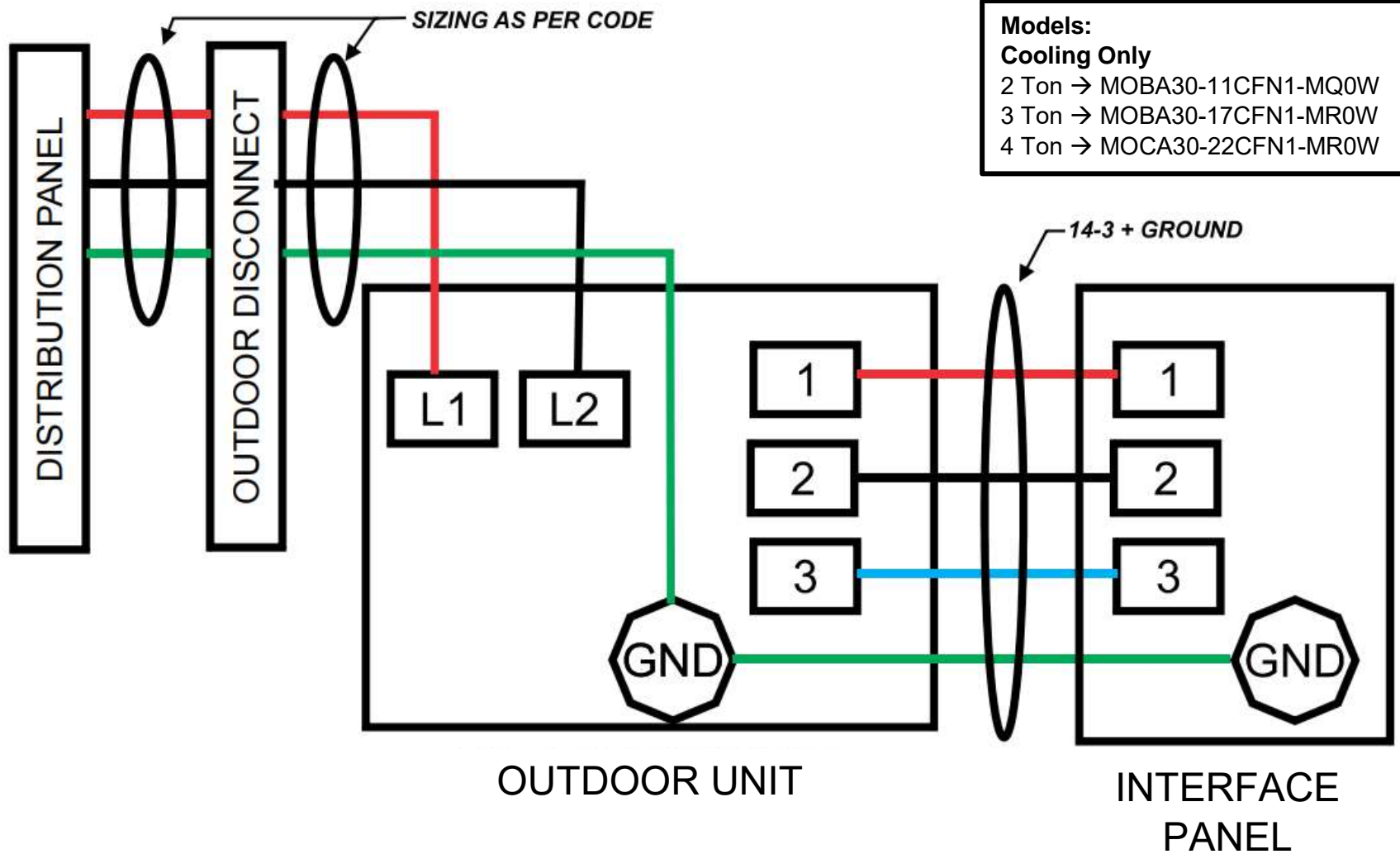


DIAGRAM SHOWS DEFAULT SETTINGS

SIMPLIFIED POWER WIRING FOR 1.0, 1.5, & 2.0 TON OUTDOOR UNITS



SIMPLIFIED LOW VOLTAGE WIRING FOR AIR CONDITIONER

Models:
Cooling Only
 1 Ton → MOBA30-11CFN1-MQ0W
 1.5 Ton → MOBA30-17CFN1-MR0W
 2 Ton → MOCA30-22CFN1-MR0W

