

# Wiring Diagrams

## MITS AIR 1.0, 2.0, & 2.5 TON PHYSICAL WIRING DIAGRAM

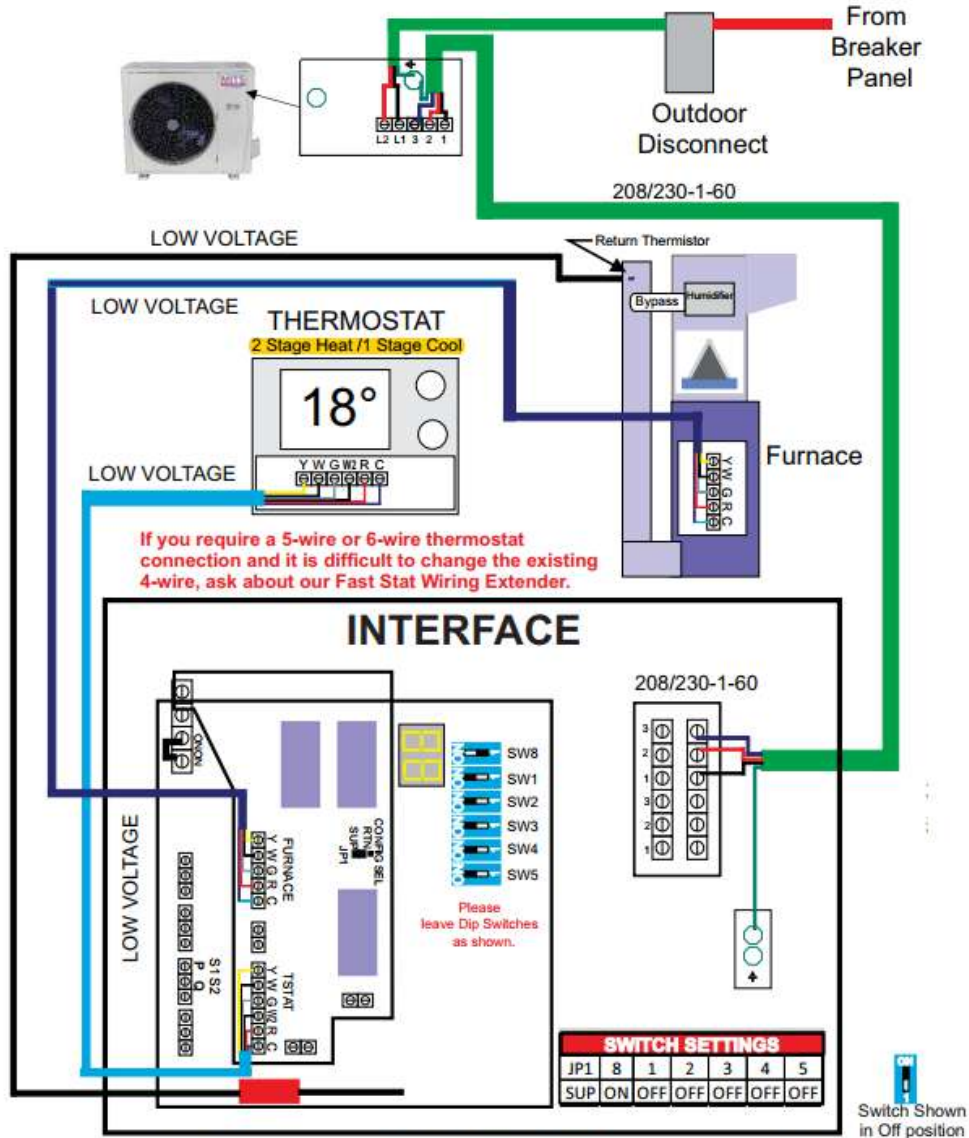


DIAGRAM SHOWS DEFAULT SETTINGS

### Models:

#### Heat Pumps

1 Ton → MOB30-12HFN1-MSOW

2 Ton → MOB31-24HFN1-MTOW

2.5 Ton → MOD30-30HFN1-MROW

# MITS AIR 3.0 & 4.0 TON PHYSICAL WIRING DIAGRAM

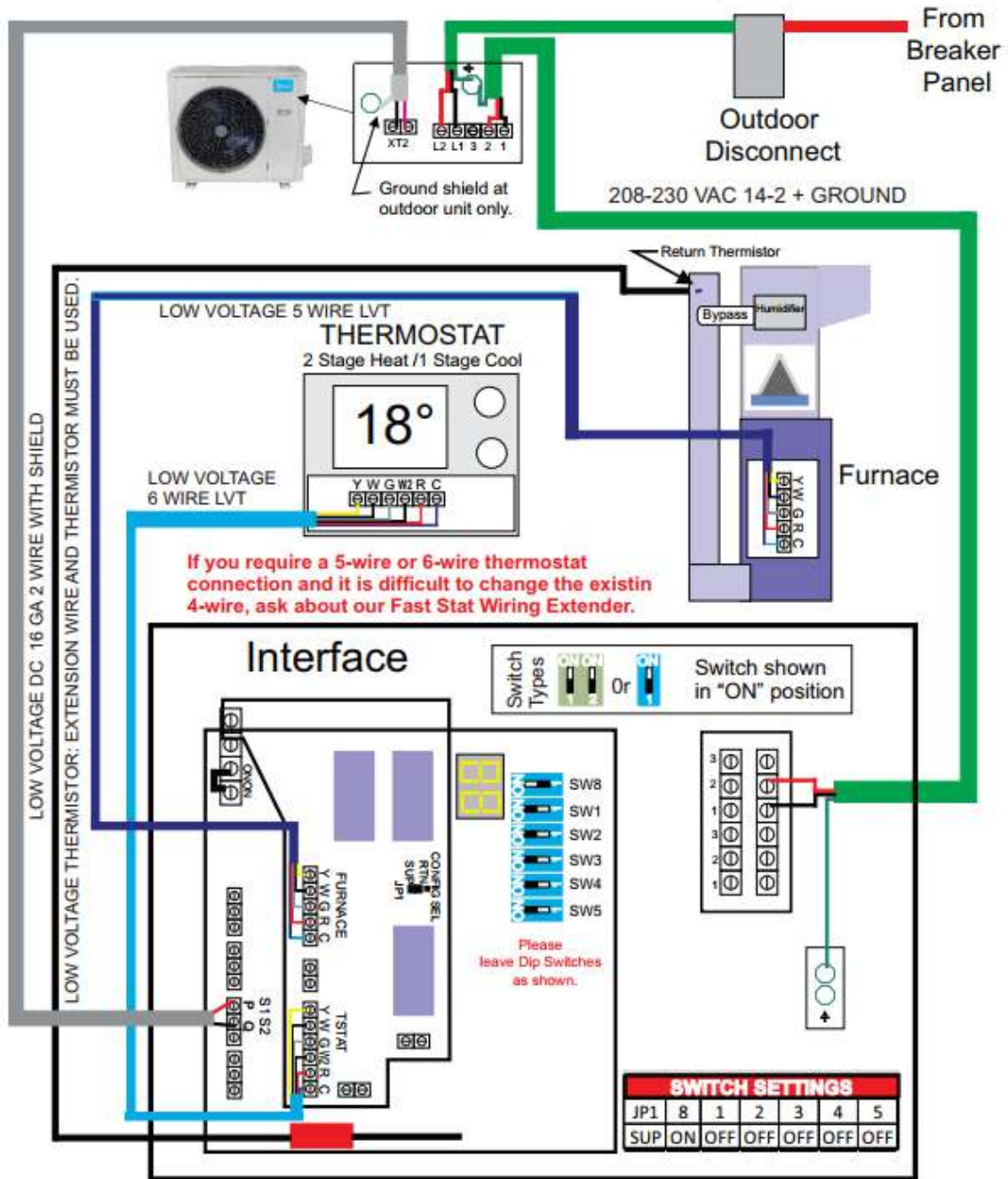
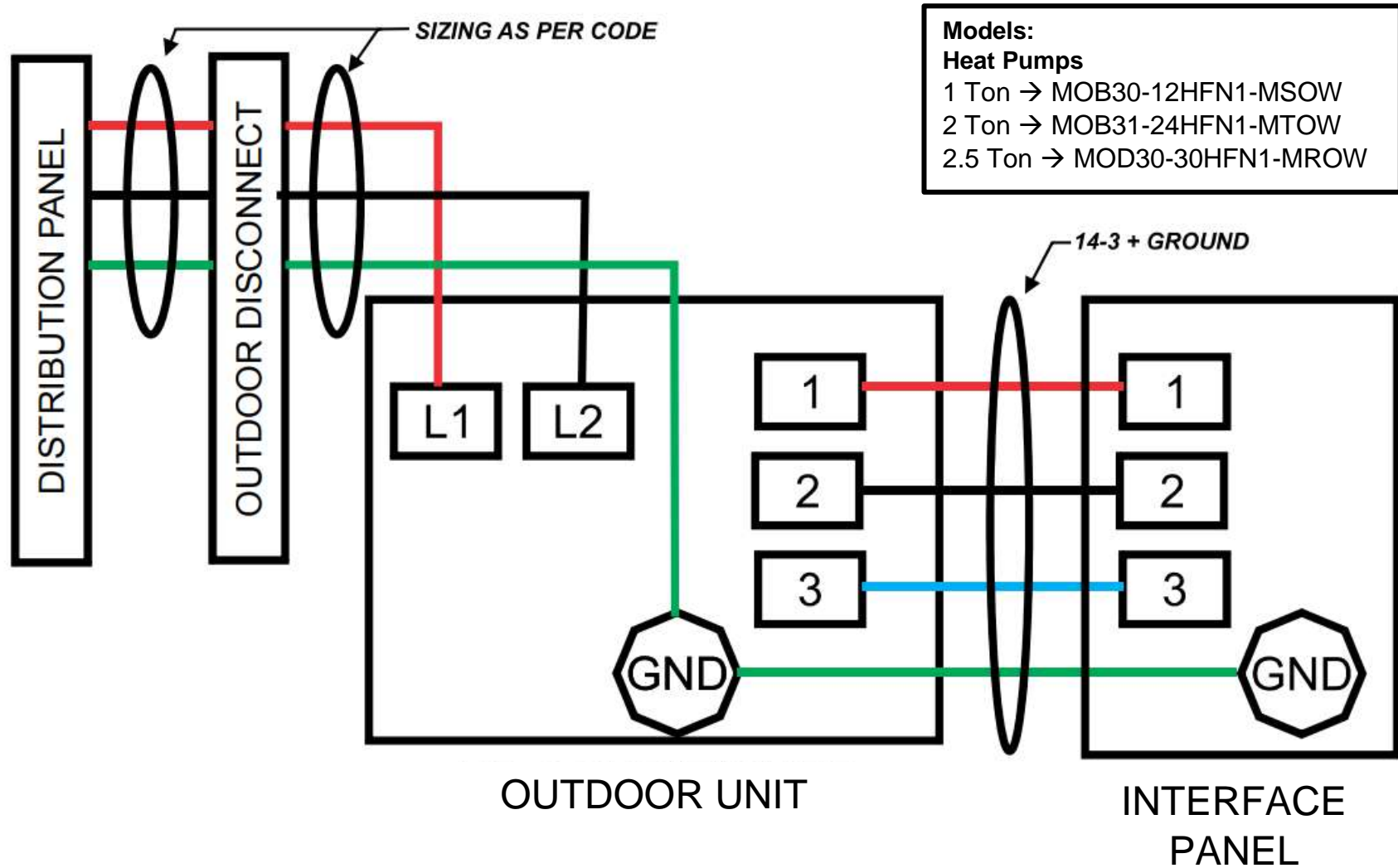


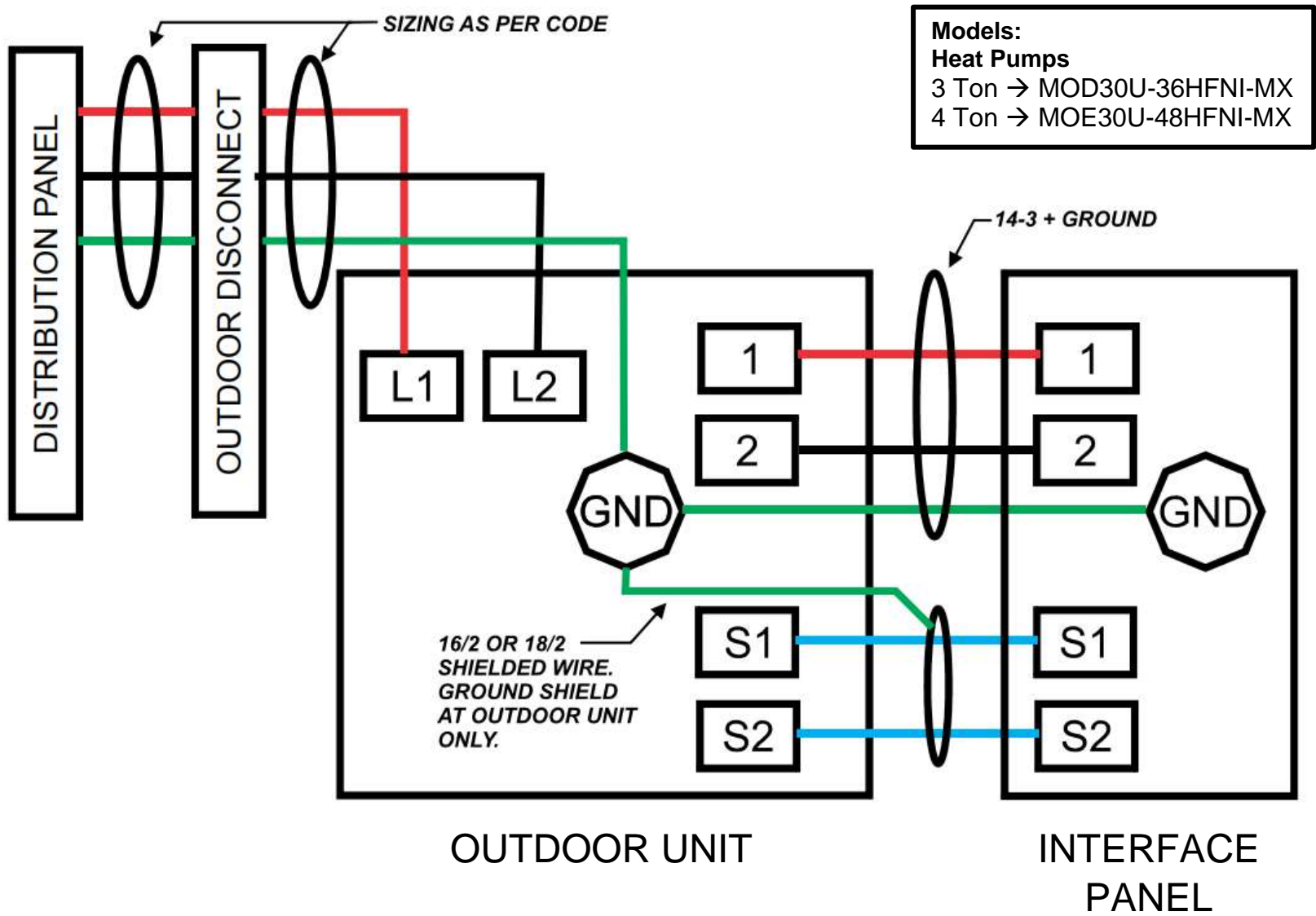
DIAGRAM SHOWS DEFAULT SETTINGS

**Models:**  
**Heat Pumps**  
 3 Ton → MOD30U-36HFNI-MX  
 4 Ton → MOE30U-48HFNI-MX

# SIMPLIFIED POWER WIRING FOR 1.0, 2.0, & 2.5 TON OUTDOOR UNITS



# SIMPLIFIED POWER WIRING FOR 3 & 4 TON OUTDOOR UNITS



# SIMPLIFIED LOW VOLTAGE WIRING FOR HEAT PUMP

**Models:**  
**Heat Pumps**  
 1 Ton → MOB30-12HFN1-MSOW  
 2 Ton → MOB31-24HFN1-MTOW  
 2.5 Ton → MOD30-30HFN1-MROW  
 3 Ton → MOD30U-36HFN1-MX  
 4 Ton → MOE30U-48HFN1-MX

