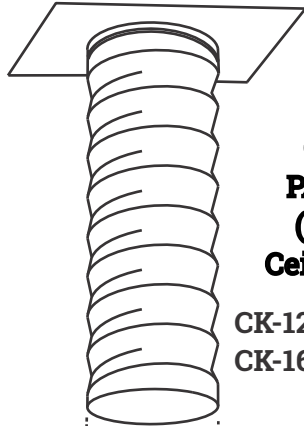
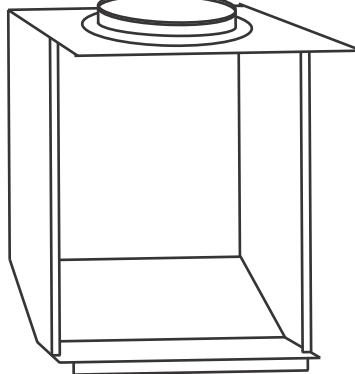


**CONDENSER
RETURN**



**CEILING
PANEL KIT
(Duct and
Ceiling Panel)**

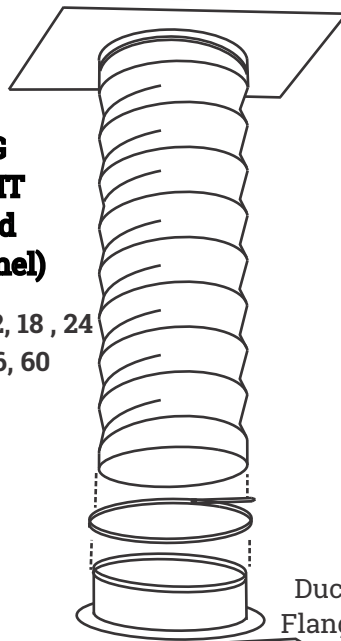
CK-12 size 12, 18, 24
CK-16 size 36, 60



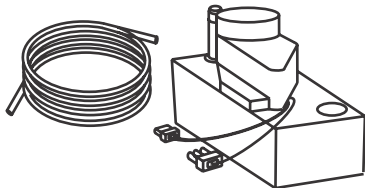
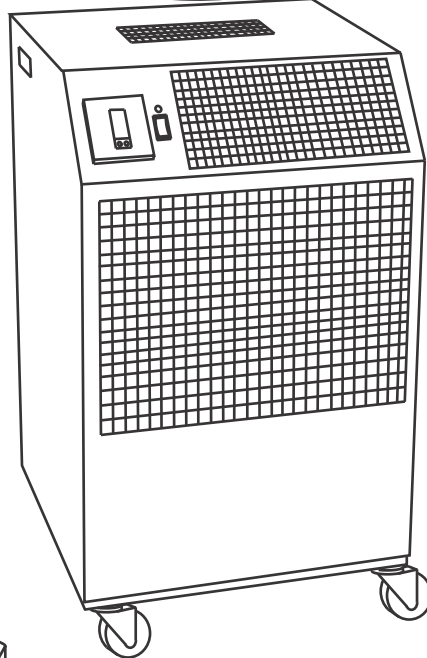
**CONDENSER RETURN
AIR PLENUM**

2DCP-1 12" for size 12
2DCP-2 12" for size 18, 24
DCP-5 16" for size 36, 60

**CONDENSER
DISCHARGE**



Duct
Flange

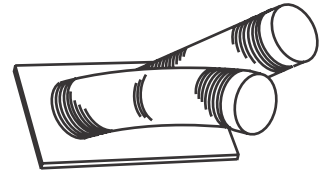


**CONDENSATE
PUMP KIT**

for Unattended Operation

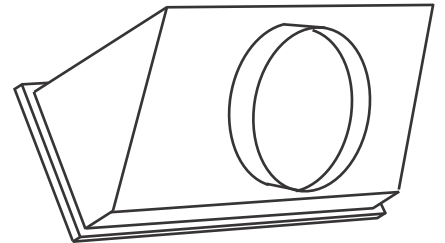
UPK-115 115V for size 12, 18
UPK-230 230V for size 24, 36
(Size 60 ships with factory installed pump)

ACCESSORIES



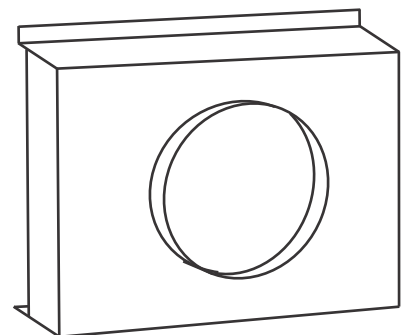
**NOZZLE KIT
for Directional
Cooling/Heating**

2NK-1 2 x 4" for size 12
2NK-2 2 X 6" for size 18, 24
2NK-3 2 X 8" for size 36, 60



**DISCHARGE DUCT ADAPTER
for Extended
Single Duct Length**

2DDA-6 6" for size 12
2DDA-10 10" for size 18, 24
2DDA-16 16" for size 36, 60



**EVAPORATOR RETURN
AIR PLENUM**

DEP-10 10" for size 12
2DEP-12 12" for size 18, 24
DEP-16 16" for size 36, 60