

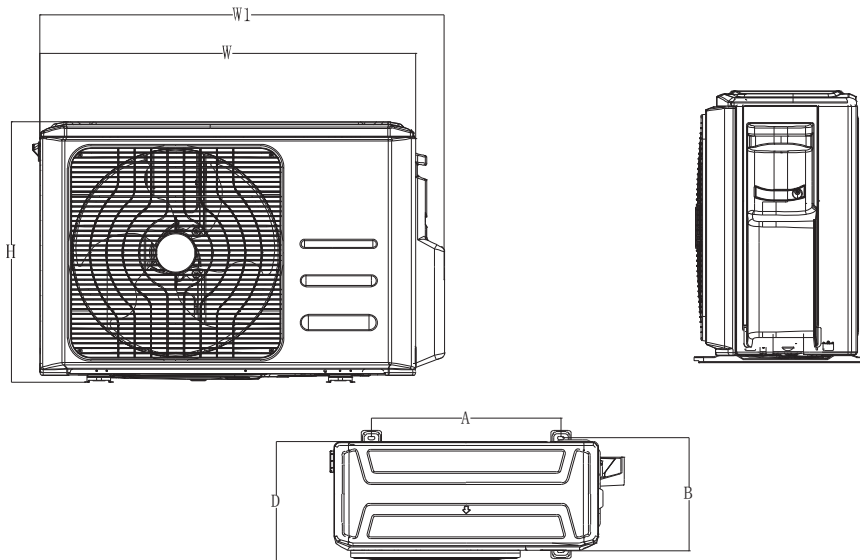
# SUBMITTAL DATA SHEET

## MITSAIR™ INVERTER AIR CONDITIONER

MODEL #	1 TON	1.5 TON	2 TON
Outdoor	MOBA30-11CFN1-MQ0W	MOBA30-17CFN1-MR0W	MOCA30-22CFN1-MR0W

Job Name:	Engineer:
Purchaser:	Application:
Submitted To:	Location:
Submitted By:	For: <input type="checkbox"/> Approval <input type="checkbox"/> Review <input type="checkbox"/> Comment
System Designation:	Schedule No.:
Notes:	

MOBA30-11CFN1-MQ0W  
 MOBA30-17CFN1-MR0W  
 MOCA30-22CFN1-MR0W



Model	Unit	Dimension					
		W	D	H	W1	A	B
MOBA30-11CFN1-MQ0W	Inch	30.31	11.81	21.85	33.07	19.17	11.73
MOBA30-17CFN1-MR0W	Inch	30.31	11.81	21.85	33.07	19.17	11.73
MOCA30-22CFN1-MR0W	Inch	33.27	14.29	27.64	35.98	21.26	13.78





# The Mitsair™ Inverter Air Conditioner



Outdoor Model♦			MOBA30-11CFN1-MQ0W	MOBA30-17CFN1-MR0W	MOCA30-22CFN1-MR0W
Power supply		Ph-V-Hz	208-230V, 1Ph, 60Hz	208-230V, 1Ph, 60Hz	208-230V, 1Ph, 60Hz
Cooling	Capacity	Btu/h	<b>11500</b>	<b>17000</b>	<b>22000</b>
	Input	W	1037	1583	1960
	Rated current	A	4.5	6.7	9.0
	EER <sup>§</sup>	Btu/w	11.1	10.8	10.9
	SEER <sup>§</sup>	Btu/w	19	20	19
Minimum Circuit Ampacity		A	11	15	18
Max. Fuse		A	15	20	25
Compressor	Type		<b>INVERTER</b>	<b>INVERTER</b>	<b>INVERTER</b>
	Rated current (RLA)	A	6.8	9	12.0
Outdoor fan motor	RLA	A	0.39	0.39	0.6
Outdoor noise level		dB(A)	51.5	53.5	57
Outdoor unit	Dimension(W*D*H)	Inch	30.31 x 11.81 x 21.85	30.31 x 11.81 x 21.85	33.27 x 14.29 x 27.64
	Net/Gross weight	lbs.	54.67/59.52	65.92/72.31	88.62/95.90
Refrigerant type (Precharge)		oz	R410A (18.7)	R410A (31.7)	R410A (40.9)
Refrigerant precharge		ft	20	20	30
Additional charge for each ft		oz	0.21	0.21	0.32
Refrigerant piping	Liquid side/Gas side	Inch	1/4" / 1/2"	1/4" / 1/2"	3/8" / 5/8"
	Max. Refrigerant pipe length	ft	82	98	98
	Max. Difference in level	ft	33	66	66
Operation Temperature	Outdoor (cooling)	°C	-3 ~ 35	-3 ~ 35	-3 ~ 35
	Outdoor (cooling)	°F	25 ~ 95	25 ~ 95	25 ~ 95

§ All testing and values are per Manufacturer's testing and use of Manufacturer's coils

♦ Outdoor Unit includes Interface module MA24VA2/C to connect the wiring for the standard 24 VAC thermostat and furnace/air handler

**WARRANTY:** All warranty effective from date of installation.  
Labour Warranty is the responsibility of the Installing Contractor.

Side Discharge Inverter Heat Pump Condenser by Mits Airconditioning Inc.

Warranty can be registered at [www.mitsair.com](http://www.mitsair.com)

- 5 years all Parts
- 5 years on Compressor

§ All Testing and Values are per Manufacturer's testing and the use of Manufacturer's Coils.

\*To register warranty on equipment, go to [www.mitsair.com/warranty-registration](http://www.mitsair.com/warranty-registration)

**Distributed by:**



Mississauga  
905-564-2221/800-567-2221

Barrie  
705-722-3200/800-688-1673

London/Windsor  
519-914-9000

[www.mitsair.com](http://www.mitsair.com)