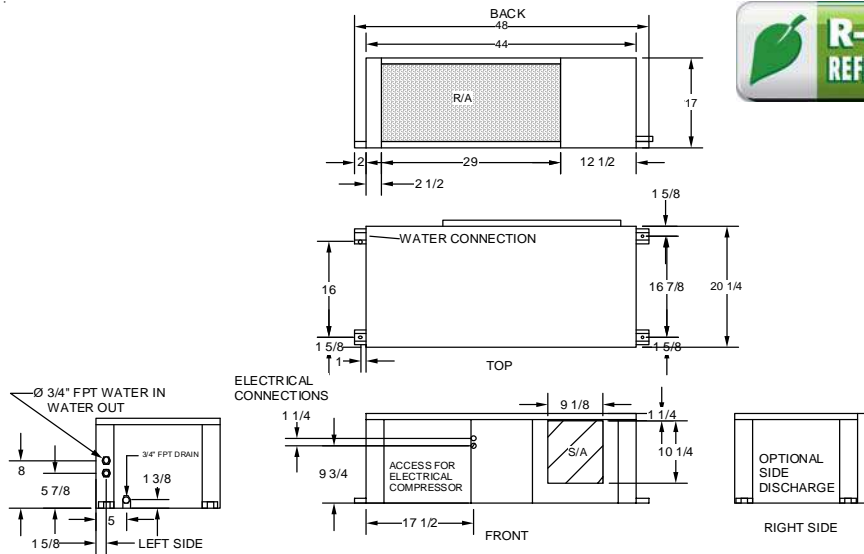


diamondAIR

LHA09-30 Horizontal Series
Air Conditioners

SUBMITTAL



Continuing engineering research results in steady improvements. Therefore, these specifications are subject to change without notice.

**DANGER: ELECTRICAL SHOCK HAZARD
SERVICE BY QUALIFIED PERSONS ONLY**

PERFORMANCE DATA

NOMINAL CAPACITY	DATA					Condenser Coil	Water Value	Flow
	TC	TSC	THR	KW	EER	ΔP (PSI)	ΔP (PSI)	USGPM
9	9,129	8849	11,491	0.701	15.01	0.3	2	2.3
12	12,421	10,222	17,512	1	14.1	0.3	2	3.3
18	18,200	14,889	22,499	1.26	14.5	0.4	3.5	4.9
24	24,800	20,180	30,381	1.63	15.3	0.9	4.6	6.4
30	29,900	23,600	36,792	2.02	14.8	2.1	6.3	8.2

TC -Total Capacity (A) Cooling capacity rating test conditions: Evaporator Air - 80°F db/67°F wb
 TSC -Total Sensible Capacity Condenser Water - 85°F EWT/95°F LWT
 THR -Total Heat of Rejection (B) Units are shipped in standard sensible format. For high sensible application,
 KW -Total Power Input motor speed must be changed to the high speed tap.
 EER -Energy Efficiency Ratio (C) Total pressure drop for unit with regulating valve is sum of condenser coil drop and
 GPM -Gallons Per Minute water regulating valve pressure drop.

NOTE: SUPPLY AIR OPENING DIMENSIONS H10" X W 9"

BLOWER PERFORMANCE (CFM)

Model	FAN SPEED	Available External Static Pressure (Inches H ₂ O including allowance for filter and wet coil)							Model
		0.10	0.20	0.30	0.40	0.50	0.60	0.70	
LHA09	HI	375.00	345.00	315.00	288.75	270.00	243.75	225.00	LHA09
	LO	307.50	296.25	281.25	266.25	247.50	228.75		
LHA12	HI	500	460	420	385	360	325	300	LHA12
	LO	410	395	375	355	330	305		
LHA18	HI	770	700	680	650	610	570	530	LHA18
	LO	670	650	615	570	530			
LHA24	HI	930	890	810	760	710	690	680	LHA24
	LO	750	720	690	670				
LHA30	HI	1250	1170	1120	1070	940	830	740	LHA30
	LO	1050	980	920	830	760	700		

ELECTRICAL DATA

Model	Electrical	Compressor		Blower Motor		Unit Total	Min. Circuit	Fuse Size	Min. Wire
	Characteristics	RLA	LRA	RLA	HP	FLA	Ampacity	Time Delay	Size
LHA09NSU0	208/230/-1-60	3.62	30	2.2	1/4	5.8	6.7	15.0	14
LHA12NSU0	208/230/-1-60	4.8	29	2.2	1/4	7.0	8.2	15.0	14
LHA18NSU0	208/230/-1-60	5.5	48	2.2	1/4	7.7	10.0	15.0	14
LHA24NSU0	208/230/-1-60	7.2	58.3	2.2	1/4	9.6	11.2	20.0	12
LHA30NSU0	208/230/-1-60	9.3	72.5	2.2	1/4	11.5	14.2	25.0	10

NOTES:

Units are standard in Galvanized Metal. Available in Powder Coated. Extra charges apply.
 Specifications and performance data subject to change without notice.
 Heat Pumps available on Special Order

Your Local Distributor	Project:	
MITS AIRCONDITIONING INC. 1608 BONHILL ROAD MISSISSAUGA, ONTARIO L5T 1C7	Contractor:	
	Engineer:	
	Submitted By:	
	Date:	