

Job Name:	Location:	Date:
Engineer:	Submitted by:	System Designation:

IntesisBox® ME-AC-BAC-1

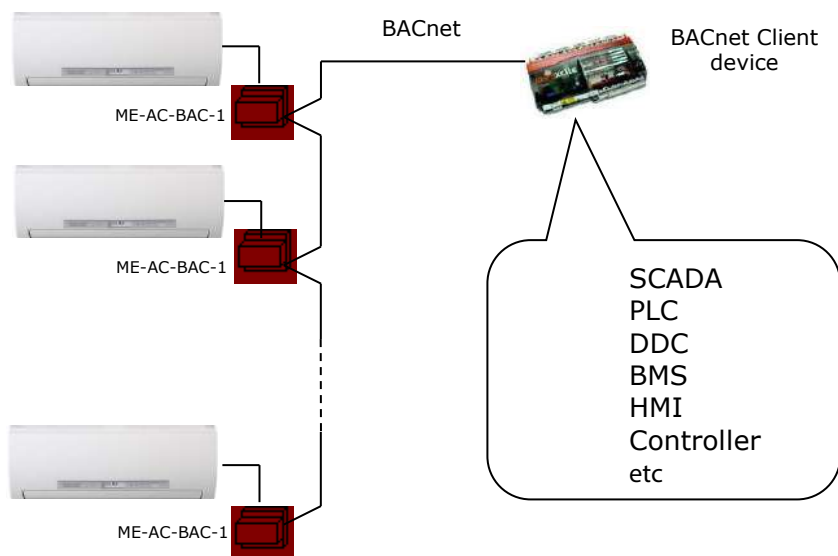
Datasheet r1.3 eng



IntesisBox®

ME-AC-BAC-1 - BTL LISTED

BACnet MS/TP & BACnet IP Server for Mitsubishi Electric Air Conditioners (Domestic Line, Mr Slim and City Multi)



The ME-AC-BAC-1 interface allows a complete and natural integration of Mitsubishi Electric air conditioners into either BACnet IP or MS/TP networks. Compatible with Domestic (RAC), Mr Slim and City Multi line models commercialized by MITSUBISHI ELECTRIC.

Reduced dimensions. 93 x 53 x 58 mm.

Quick and easy installation. Mountable on DIN rail, wall, or even inside the indoor unit in some models of AC.

External power not required.

Direct connection to BACnet networks. ME-AC-BAC-1 is a BACnet MS/TP or a BACnet IP server (depending on configuration).

Direct connection to the AC indoor unit.

Total Control and Supervision. Real states of the AC unit's internal variables.

Allows using simultaneously the IR and wired remote controls and BACnet.

1. BACnet Interface (Member Objets)

Object - name	Description	Object - type	Object - instance
ME-AC-BAC-1	Mitsubishi Electric AC Interface	Device	246000*
OnOff_status		BI	0
OnOff_command		BO	0
Mode_status		MI	0
Mode_command		MO	0
SetPoint_status		AI	0
SetPoint_command		AO	0
FanSpeed_status		MI	1
FanSpeed_command		MO	1
AirDirectionUD_status		MI	2
AirDirectionUD_command		MO	2
AirDirectionLR_status		MI	3
AirDirectionLR_command		MO	3
RoomTemperature		AI	1
ErrorCode		AI	2
ErrorCodeM		MI	4
ErrorActive		BI	1
OnTimeCounter		AV	0
Occupancy		MV	0
OccupiedCoolSetPoint		AV	1
OccupiedHeatSetPoint		AV	2
UnoccupiedCoolSetPoint		AV	3
UnoccupiedHeatSetPoint		AV	4
OccupancyContinuousCheck		BV	0
UnoccupiedDeadbandAction		BV	1
LockRemoteControl		BV	2

* Configurable from BACnet side, the device configuration tool and the switch configuration. Check the user manual for more information.