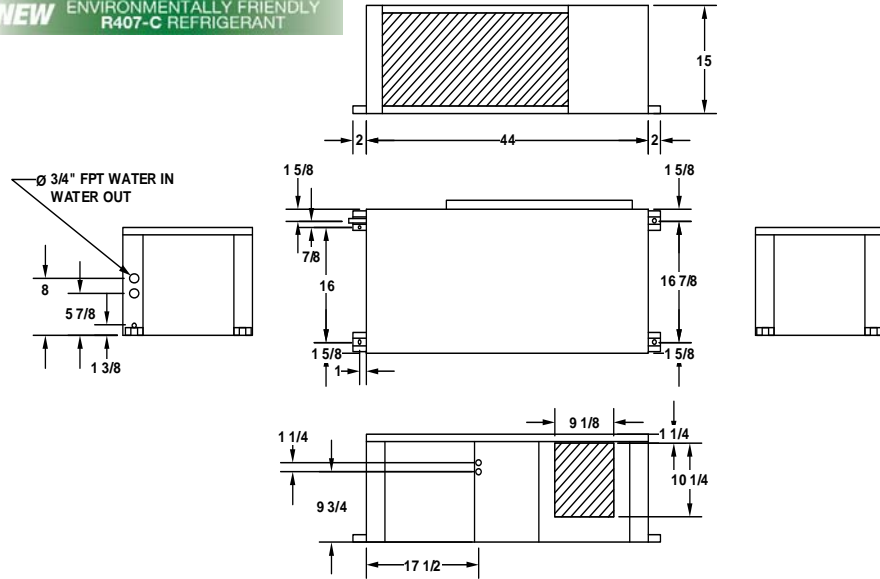


## SUBMITTAL

**NEW** ENVIRONMENTALLY FRIENDLY  
R407-C REFRIGERANT



### PERFORMANCE DATA

NOMINAL CAPACITY	DATA					Condensator Coil		Water Value	Flow
	TC	TSC	THR	KW	EER	ΔP (PSI)	ΔP (PSI)	USGPM	
LHA09	9,129	8849	11567	0.855	10.6	0.3	2	2.3	
LHA12	12,525	10,955	16463	1.13	11.1	0.3	2	3.3	
LHA18	18,380	14,889	24521	1.52	12.1	0.4	3.5	4.9	
LHA24	24,210	20,180	31935	2.01	12.1	0.9	4.6	6.4	
LHA30	30,060	24,804	39972	2.41	13.6	2.1	6.3	8.2	
LHA36	36,096	29,707	47,526	3.27	12.6	2.2	3.2	9.5	

TC -Total Capacity (A) Cooling capacity rating test conditions: Evaporator Air - 80°F db/67°F wb  
 TSC -Total Sensible Capacity Condenser Water - 85°F EWT/95°F LWT  
 THR -Total Heat of Rejection (B) Units are shipped in standard sensible format. For high sensible application,  
 KW -Total Power Input motor speed must be changed to the high speed tap.  
 EER -Energy Efficiency Ratio (C) Total pressure drop for unit with regulating valve is sum of condenser coil drop and  
 GPM -Gallons Per Minute water regulating valve pressure drop.

**NOTE: RETURN AIR OPENING DIMENSIONS L28" X H 13.5"**

**NOTE: SUPPLY AIR OPENING DIMENSIONS H10" X W 9"**

### BLOWER PERFORMANCE (CFM)

Model	FAN SPEED	Available External Static Pressure (Inches H <sub>2</sub> O including allowance for filter and wet coil)							Model
		0.10	0.20	0.30	0.40	0.50	0.60	0.70	
LHA09	HI	375.00	345.00	315.00	288.75	270.00	243.75	225.00	LHA09
	LO	307.50	296.25	281.25	266.25	247.50	228.75		
LHA12	HI	500	460	420	385	360	325	300	LHA12
	LO	410	395	375	355	330	305		
LHA18	HI	770	700	680	650	610	570	530	LHA18
	LO	670	650	615	570	530			
LHA24	HI	930	890	810	760	710	690	680	LHA24
	LO	750	720	690	670				
LHA30	HI	1250	1170	1120	1070	940	830	740	LHA30
	LO	1050	980	920	830	760	700		
LHA36	HI	1500	1440	1370	1290	1210	1120	1000	LHA36
	LO	1410	1350	1290	1220	1150	1060	900	

### ELECTRICAL DATA

Model	Electrical Characteristics	Compressor		Blower Motor		Unit Total FLA	Min. Circuit Ampacity	Fuse Size Time Delay	Min. Wire Size
		RLA	LRA	RLA	HP				
LHA09NSU7	208/230/-1-60	5.1	30	1.4	1/4	6.5	7.8	15.0	14
LHA12NSU7	208/230/-1-60	6.4	31.5	1.4	1/4	7.8	9.4	15.0	14
LHA18NSU7	208/230/-1-60	6.2	38	1.4	1/4	7.6	9.2	15.0	12
LHA24NSU7	208/230/-1-60	8.2	51.5	1.4	1/4	9.6	11.7	20.0	12
LHA30NSU7	208/230/-1-60	10.2	76.1	1.4	1/4	11.6	14.2	25.0	10
LHA36NSU7	208/230/-1-60	16.1	90	3.1	1/3	19.2	24	40	10
LHA36TSU7	208/230/-3-60	10.5	60	3.1	1/3	13.6	14	20	12

**NOTES:**

**Units are standard in Galvanized Metal. Available in Powder Coated. Extra charges apply.**

Your Local Distributor	<b>Project:</b>	
MITS AIRCONDITIONING INC. 1608 BONHILL ROAD MISSISSAUGA, ONTARIO L5T 1C7	<b>Contractor:</b>	
	<b>Engineer:</b>	
	<b>Submitted By:</b>	
	<b>Date:</b>	