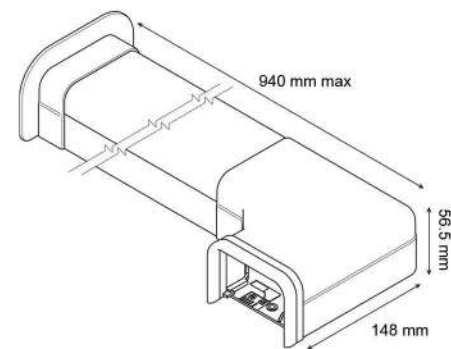
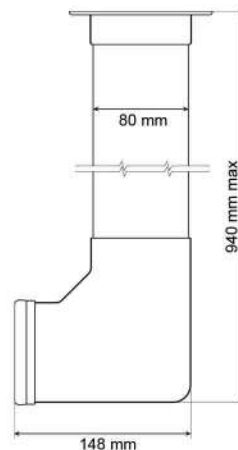


FLOWATCH® DESIGN

Complete kit, in-duct pump, for the condensate removal of air conditioners up to 10kW / 36000BTU.

Ref: DE05LC9460



Hose diameters
Suction - 4/6 mm - Supplied
Discharge - 6/9 mm - Not supplied



Specifications

Flowrate max	15 l/h
Discharge head max	10 m
Electrical power	19W
Voltage	220-240V 50/60Hz
Alarm	NO-NC 5A
Noise level	20.2 dBA
Protection rating	IP64
Thermal protection	Yes
Operating cycle*	100%
Power / alarm cable lenght	1.6 m
Dimensions	80 x 55 x 800 mm

* The pump is able to run 100% of the time if necessary.

Benefits



mini FLOWATCH® 2 included
It assures a high reliability and an easy maintenance.



20.2 dBA
Very silent pump, suitable for an installation in any room.



IP64 protection rating
Protected from water and dust ingress.



Stop siphoning included
Allows to avoid all risk of negative discharge and to secure the pump functioning over time.

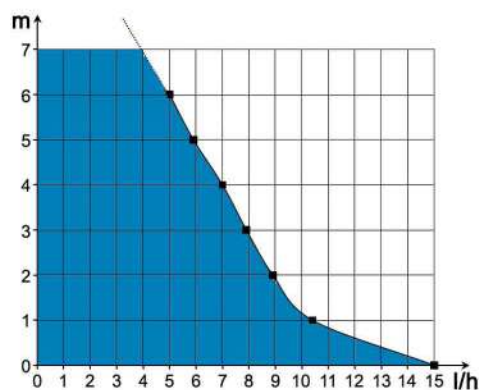


Nice design
Thanks to its shape and its finishing accessories (included), FLOWATCH® DESIGN offers great aesthetics qualities.



Kit pre-assembled
Pump is already installed in its duct. Installation is easy and quick.

Flowrate



Pack contents

Duct with elbow- Finishing gasket - Finishing ceiling plate - Pump in absorber bracket - Reservoir with air-vent tube - Power / alarm cable - Reservoir stand - Inlet tube - Suction tube 0.25m - Screws and rawplugs

