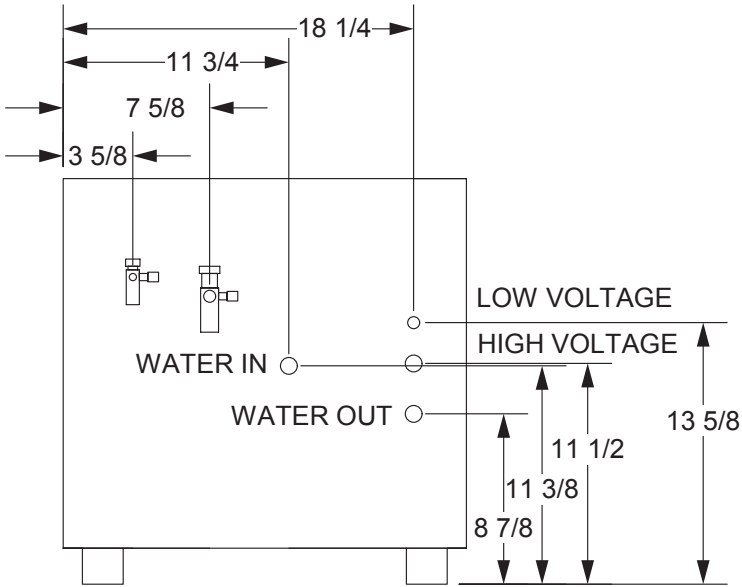
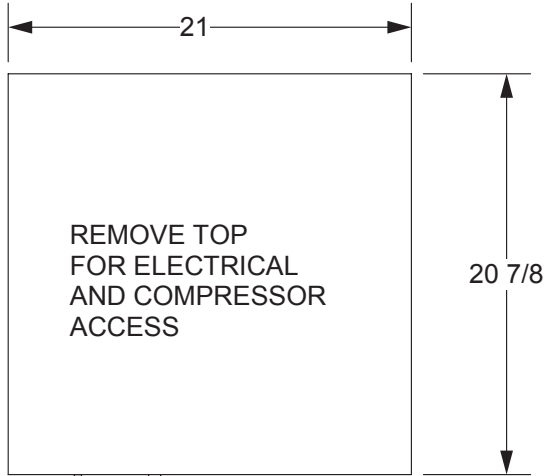


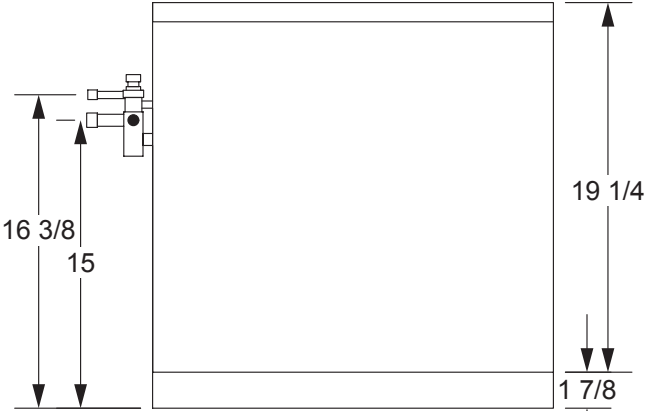
MAT'L		TOLERANCES UNLESS NOTED OTHERWISE
PT #		X.X ±.060" ANGLE X.X ± 0.5°
REQ'D		X.XX ±.030"
		X.XXX ±.015"

NEW ENVIRONMENTALLY FRIENDLY
R407-C REFRIGERANT

TOP



FRONT



RIGHT SIDE

**PLEASE NOTE:
WATER IN & OUT
CONNECTIONS
1/2" OD COPPER**

ITEM	PART	QTY.	MAT'L	DESCRIPTION
WSS12-60				Units Inches

THIS DRAWING, THE DESIGN AND DEVELOPMENTS ARE THE PROPERTY OF AND ARE NOT TO BE USED OR REPRODUCED IN ANY WAY WITHOUT WRITTEN CONSENT OF RANGER HEATING AND AIR CONDITIONING PRODUCTS

DR. BY	GS	DATE	01/01/05	SCALE	DWG. NO.	REV	2
--------	----	------	----------	-------	----------	-----	---

REV.	DESCRIPTION	DATE	BY	APPR.	DATE