

diamondAIR

LHA90-120 Horizontal Series
Air Conditioners

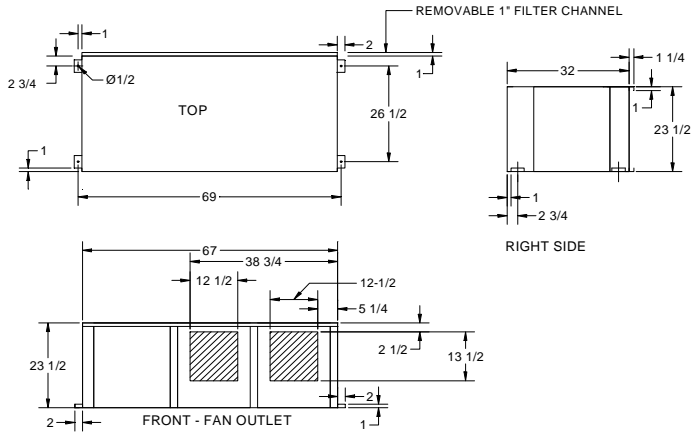
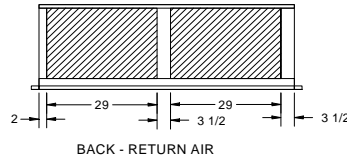
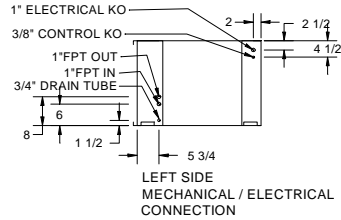
SUBMITTAL

NEW ENVIRONMENTALLY FRIENDLY
R407-C REFRIGERANT

LHA90/120

WEIGHT: LHA90 475 LBS
LHA120 520 LBS

2 FILTERS 23-1/4" X 33" HELD
IN U CHANNEL.



PERFORMANCE DATA

NOMINAL CAPACITY	DATA					Condenser Coil ΔP (PSI)	Water Value ΔP (PSI)	Flow USGPM
	TC	TSC	THR	KW	EER			
LHA90	95,443	78,550	125667	8.74	12.6	7.2	13	25.1
LHA120	121,335	99,859	159758	11.8	12.6	9.6	21	32.0

TC -Total Capacity
TSC -Total Sensible Capacity
THR -Total Heat of Rejection
KW -Total Power Input
EER -Energy Efficiency Ratio
GPM -Gallons Per Minute

(A) Cooling capacity rating test conditions: Evaporator Air - 80°F db/67°F wb
Condenser Water - 85°F EWT/95°F LWT

(B) Units are shipped in standard sensible format. For high sensible application, motor speed must be changed to the high speed tap.

(C) Total pressure drop for unit with regulating valve is sum of condenser coil drop and water regulating valve pressure drop.

BLOWER PERFORMANCE (CFM)

Model	FAN SPEED	Available External Static Pressure (Inches H ₂ O including allowance for filter and wet coil)							Model
		0.10	0.20	0.30	0.40	0.50	0.60	0.70	
LHA90	HI	4500	4400	4200	4100	4000	3800	3600	LHA90
	LO	4220	4080	3980	3820	3640	3520	3400	
LHA120	HI	4500	4400	4200	4100	4000	3800	3600	LHA120
	LO	4220	4080	3980	3820	3640	3520	3400	

ELECTRICAL DATA

Model	Electrical Characteristics	Compressor		Blower Motor		Unit Total FLA	Min. Circuit Ampacity	Fuse Size Time Delay	Min. Wire Size
		RLA	LRA	RLA	HP				
LHA90TSU7	208/230/-1-60	14.0 X 2	90 X 2	2 X 5.0	2 x 3/4	38.0	40.0	50	6
LHA90RSU7	460/3/60	7.0 X 2	37 X 2	2 X 2.5	2 x 3/4	19.0	18.0	20	12
LHA90ZSU7	575/3/60	5.6 X 2	36 X 2	2 X 2.4	2 x 3/4	16.0	17.0	20	12
LHA120TSU7	208/230/-3-60	17.5 X 2	126 X 2	2 X 5.3	2 X 1	45.6	51.0	70	4
LHA120RSU7	460-3-60	8.8 X 2	55 X 2	2 X 2.7	2 X 1	23.0	21.0	25	10
LHA120ZSU7	575/3/60	7.0 X 2	39 X 2	2 x 2.4	2 X 1	18.8	16.0	20	12

NOTES:

Units are standard in Galvanized Metal. Available in Powder Coated. Extra charges apply.

Your Local Distributor	Project:	
MITS AIRCONDITIONING INC. 1608 BONHILL ROAD MISSISSAUGA, ONTARIO L5T 1C7	Contractor:	
	Engineer:	
	Submitted By:	
	Date:	