

# diamondAIR

LHA48-60 Horizontal Series Air Conditioners

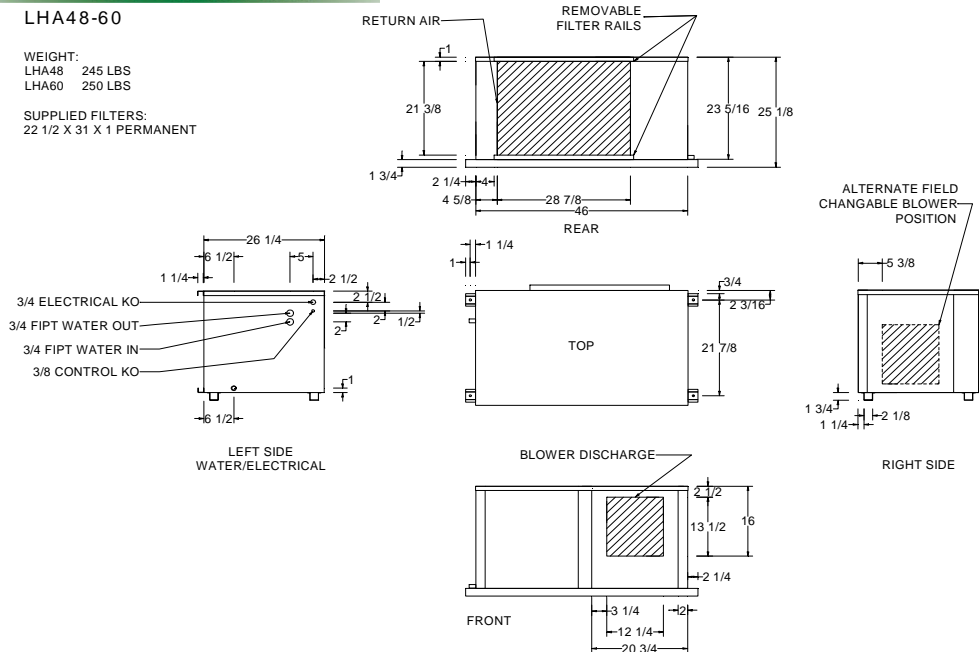
## SUBMITTAL

**NEW** ENVIRONMENTALLY FRIENDLY  
R407-C REFRIGERANT

### LHA48-60

WEIGHT:  
LHA48 245 LBS  
LHA60 250 LBS

SUPPLIED FILTERS:  
22 1/2 X 31 X 1 PERMANENT



## PERFORMANCE DATA

NOMINAL CAPACITY	DATA					Condenser Coil ΔP (PSI)	Water Value ΔP (PSI)	Flow USGPM
	TC	TSC	THR	KW	EER			
LHA48	47,998	39,502	63197	4.37	12.6	8.1	7.4	12.6
LHA60	60,231	49,570	79304	5.9	12.6	9.6	8.9	15.9

TC -Total Capacity (A) Cooling capacity rating test conditions: Evaporator Air - 80°F db/67°F wb  
 TSC -Total Sensible Capacity (B) Units are shipped in standard sensible format. For high sensible application, Condenser Water - 85°F EWT/95°F LWT  
 THR -Total Heat of Rejection (C) Total pressure drop for unit with regulating valve is sum of condenser coil drop and  
 KW -Total Power Input motor speed must be changed to the high speed tap.  
 EER -Energy Efficiency Ratio  
 GPM -Gallons Per Minute water regulating valve pressure drop.

## BLOWER PERFORMANCE (CFM)

Model	FAN SPEED	Available External Static Pressure (Inches H <sub>2</sub> O including allowance for filter and wet coil)							Model
		0.10	0.20	0.30	0.40	0.50	0.60	0.70	
LHA48	HI	2250	2200	2100	2050	2000	1900	1800	LHA48
	LO	2110	2040	1990	1910	1820	1760	1700	
LHA60	HI	2250	2200	2100	2050	2000	1900	1800	LHA60
	LO	2110	2040	1990	1910	1820	1760	1700	

## ELECTRICAL DATA

Model	Electrical Characteristics	Compressor		Blower Motor		Unit Total FLA	Min. Circuit Ampacity	Fuse Size Time Delay	Min. Wire Size
		RLA	LRA	RLA	HP				
LHA48NSU7	208/230/-1-60	20.4	110.0	5.0	3/4	25.4	29.5	40	8
LHA48TSU7	208/230/-3-60	14.0	90.0	5.0	3/4	19.0	19.5	30	10
LHA48RSU7	460/3/60	7.0	37.0	2.5	3/4	9.5	14.0	20	12
LHA48ZSU7	575/3/60	5.6	38.0	2.4	3/4	8.0	12.0	15	12
LHA60NSU7	208/230/-1-60	28.8	165.0	5.0	3/4	33.8	42.7	60	6
LHA60TSU7	208/230/-3-60	17.5	126.0	5.0	3/4	22.5	27.0	40	10
LHA60RSU7	460/3/60	8.8	55.0	2.5	3/4	11.3	14.0	20	14
LHA60ZSU7	575/3/60	7.0	39.0	2.4	3/4	9.4	14.0	20	14

### NOTES:

Units are standard in Galvanized Metal. Available in Powder Coated. Extra charges apply.

Your Local Distributor	Project:	
MITS AIRCONDITIONING INC.	Contractor:	
1608 BONHILL ROAD	Engineer:	
MISSISSAUGA, ONTARIO	Submitted By:	
L5T 1C7	Date:	