

diamondAIR

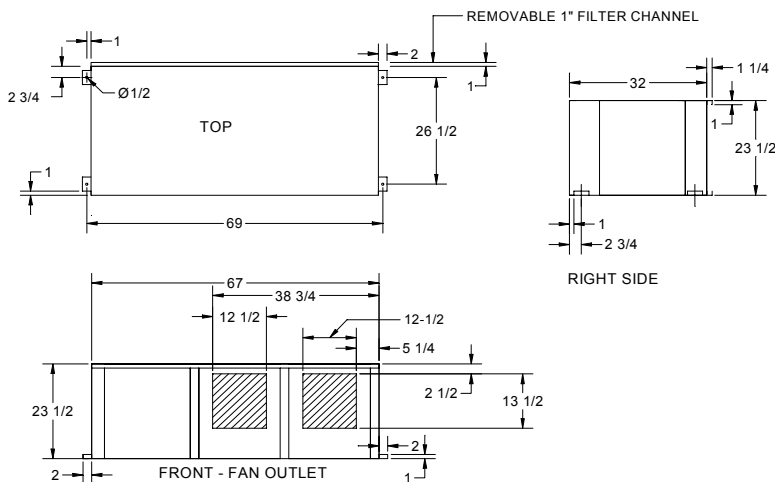
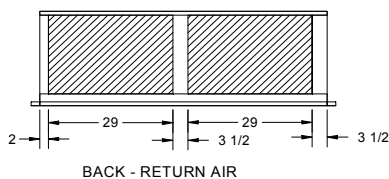
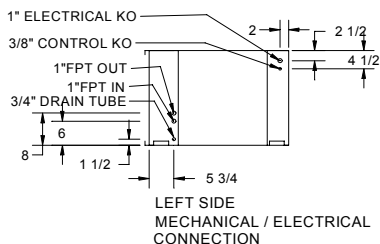
SUBMITTAL

LHA90-120 Horizontal Series Air Conditioners

LHA90/120

WEIGHT: LHA90 475 LBS
LHA120 520 LBS

2 FILTERS 23-1/4" X 33" HELD IN U CHANNEL.



PERFORMANCE DATA

NOMINAL CAPACITY	DATA					Condensor Coil ΔP (PSI)	Water Value ΔP (PSI)	Flow USGPM
	TC	TSC	THR	KW	EER			
90	95,443	78,550	125667	8.74	12.6	7.2	13	25.1
120	121,335	99,859	159758	11.8	12.6	9.6	21	32.0

TC -Total Capacity (A) Cooling capacity rating test conditions: Evaporator Air - 80°F db/67°F wb
 TSC -Total Sensible Capacity Condenser Water - 85°F EWT/95°F LWT
 THR -Total Heat of Rejection (B) Units are shipped in standard sensible format. For high sensible application, motor speed must be changed to the high speed tap.
 KW -Total Power Input (C) Total pressure drop for unit with regulating valve is sum of condenser coil drop and water regulating valve pressure drop.
 EER -Energy Efficiency Ratio
 GPM -Gallons Per Minute

BLOWER PERFORMANCE (CFM)

Model	FAN SPEED	Available External Static Pressure (Inches H ₂ O including allowance for filter and wet coil)							Model
		0.10	0.20	0.30	0.40	0.50	0.60	0.70	
LHA90	HI	4500	4400	4200	4100	4000	3800	3600	LHA90
	LO	4220	4080	3980	3820	3640	3520	3400	
LHA120	HI	4500	4400	4200	4100	4000	3800	3600	LHA120
	LO	4220	4080	3980	3820	3640	3520	3400	

ELECTRICAL DATA

Model	Electrical Characteristics	Compressor		Blower Motor		Unit Total FLA	Min. Circuit Ampacity	Fuse Size Time Delay	Min. Wire Size
		RLA	LRA	RLA	HP				
LHA90TSU3	208/230/-1-60	14.0 X 2	90 X 2	2 X 5.0	2 x 3/4	38.0	40.0	50	6
LHA90RSU3	460/3/60	7.0 X 2	37 X 2	2 X 2.5	2 x 3/4	19.0	18.0	20	12
LHA90ZSU3	575/3/60	5.6 X 2	36 X 2	2 X 2.4	2 x 3/4	16.0	17.0	20	12
LHA120TSU3	208/230/-3-60	17.5 X 2	126 X 2	2 X 5.3	2 X 1	45.6	51.0	70	4
LHA120RSU3	460-3-60	8.8 X 2	55 X 2	2 X 2.7	2 X 1	23.0	21.0	25	10
LHA120ZSU3	575/3/60	7.0 X 2	39 X 2	2 x 2.4	2 X 1	18.8	16.0	20	12

NOTES:

Your Local Distributor	Project:	
MITS AIRCONDITIONING INC. 1800 MEYERSIDE DRIVE MISSISSAUGA, ONTARIO L5T 1B4	Contractor:	
	Engineer:	
	Submitted By:	
	Date:	