

# diamondAIR

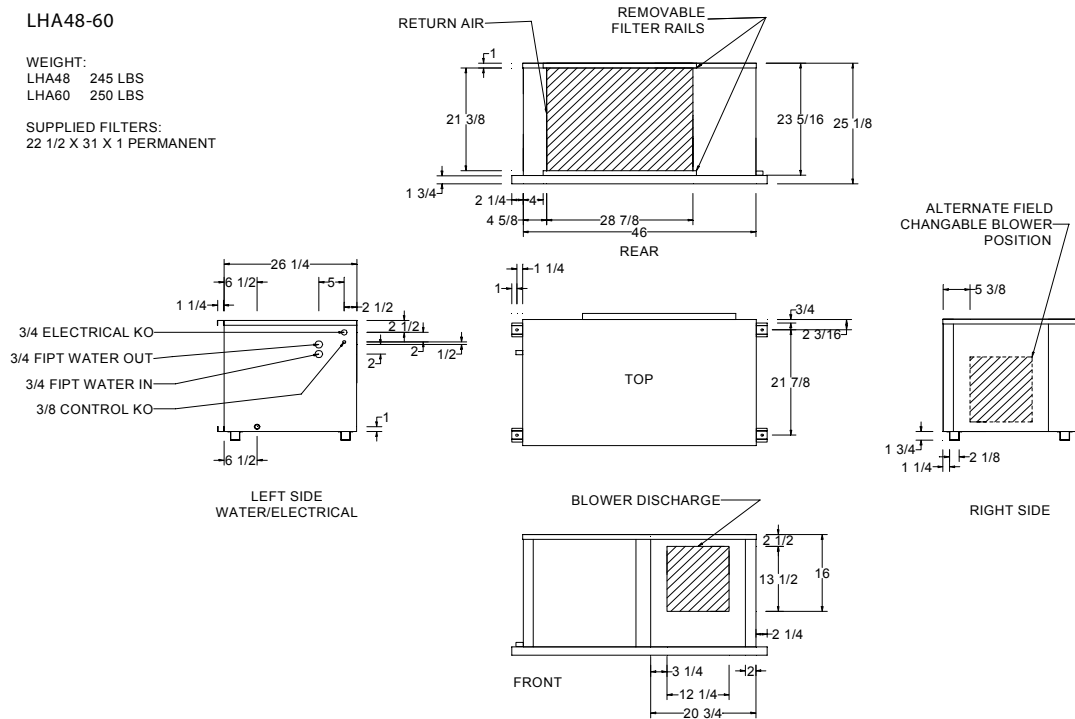
## SUBMITTAL

LHA48-60 Horizontal  
Series Air Conditioners

**LHA48-60**

**WEIGHT:**  
LHA48 245 LBS  
LHA60 250 LBS

**SUPPLIED FILTERS:**  
22 1/2 X 31 X 1 PERMANENT



### PERFORMANCE DATA

NOMINAL CAPACITY	DATA					Condenser Coil ΔP (PSI)	Water Value ΔP (PSI)	Flow USGPM
	TC	TSC	THR	KW	EER			
LHA48	47,998	39,502	63197	4.37	12.6	8.1	7.4	12.6
LHA60	60,231	49,570	79304	5.9	12.6	9.6	8.9	15.9

TC -Total Capacity (A) Cooling capacity rating test conditions: Evaporator Air - 80°F db/67°F wb  
 TSC -Total Sensible Capacity Condenser Water - 85°F EWT/95°F LWT  
 THR -Total Heat of Rejection (B) Units are shipped in standard sensible format. For high sensible application, motor speed must be changed to the high speed tap.  
 KW -Total Power Input (C) Total pressure drop for unit with regulating valve is sum of condenser coil drop and water regulating valve pressure drop.  
 EER -Energy Efficiency Ratio  
 GPM -Gallons Per Minute

### BLOWER PERFORMANCE (CFM)

Model	FAN SPEED	Available External Static Pressure (Inches H <sub>2</sub> O including allowance for filter and wet coil)							Model
		0.10	0.20	0.30	0.40	0.50	0.60	0.70	
LHA48	HI	2250	2200	2100	2050	2000	1900	1800	LHA48
	LO	2110	2040	1990	1910	1820	1760	1700	
LHA60	HI	2250	2200	2100	2050	2000	1900	1800	LHA60
	LO	2110	2040	1990	1910	1820	1760	1700	

### ELECTRICAL DATA

Model	Electrical Characteristics	Compressor		Blower Motor		Unit Total FLA	Min. Circuit Ampacity	Fuse Size Time Delay	Min. Wire Size
		RLA	LRA	RLA	HP				
LHA48NSU2	208/230/-1-60	20.4	110.0	5.0	3/4	25.4	29.5	40	8
LHA48TSU2	208/230/-3-60	14.0	90.0	5.0	3/4	19.0	19.5	30	10
LHA48RSU2	460/3/60	7.0	37.0	2.5	3/4	9.5	14.0	20	12
LHA48ZSU2	575/3/60	5.6	38.0	2.4	3/4	8.0	12.0	15	12
LHA60NSU2	208/230/-1-60	28.8	165.0	5.0	3/4	33.8	42.7	60	6
LHA60TSU2	208/230/-3-60	17.5	126.0	5.0	3/4	22.5	27.0	40	10
LHA60RSU2	460/3/60	8.8	55.0	2.5	3/4	11.3	14.0	20	14
LHA60ZSU2	575/3/60	7.0	39.0	2.4	3/4	9.4	14.0	20	14

**NOTES:**

Your Local Distributor	Project:	
MITS AIRCONDITIONING INC. 1800 MEYERSIDE DRIVE MISSISSAUGA, ONTARIO L5T 1B4	Contractor:	
	Engineer:	
	Submitted By:	
	Date:	