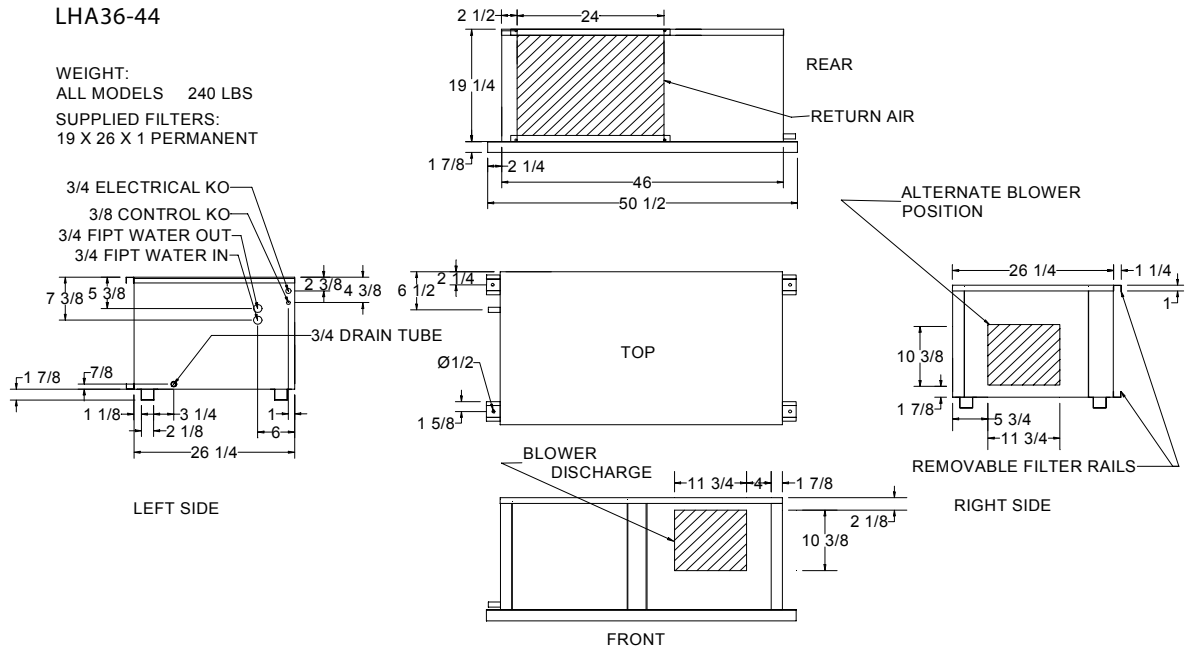


diamondAIR

SUBMITTAL

LHA36-44 Horizontal
Series Air Conditioners



PERFORMANCE DATA

NOMINAL CAPACITY	DATA					Condensor Coil ΔP (PSI)	Water Value ΔP (PSI)	Flow USGPM
	TC	TSC	THR	KW	EER			
LHA36	36,096	29,707	47,526	3.27	12.6	2.2	3.2	9.5
LHA44	42,111	34,657	55,446	3.66	12.6	7.2	3.5	11.1

TC -Total Capacity (A) Cooling capacity rating test conditions: Evaporator Air - 80°F db/67°F wb
 TSC -Total Sensible Capacity Condenser Water - 85°F EWT/95°F LWT
 THR -Total Heat of Rejection (B) Units are shipped in standard sensible format. For high sensible application,
 KW -Total Power Input motor speed must be changed to the high speed tap.
 EER -Energy Efficiency Ratio (C) Total pressure drop for unit with regulating valve is sum of condenser coil drop
 GPM -Gallons Per Minute and water regulating valve pressure drop.

BLOWER PERFORMANCE (CFM)

Model	FAN SPEED	Available External Static Pressure (Inches H ₂ O including allowance for filter and wet coil)							Model
		0.10	0.20	0.30	0.40	0.50	0.60	0.70	
LHA36	HI	1500	1440	1370	1290	1210	1120	1000	LHA36
	LO	1410	1350	1290	1220	1150	1060	900	
LHA44	HI	1560	1500	1420	1340	1260	1170	1070	LHA44
	LO	1470	1410	1340	1270	1200	1110	1010	

ELECTRICAL DATA

Model	Electrical Characteristics	Compressor		Blower Motor		Unit Total FLA	Min. Circuit Ampacity	Fuse Size Time Delay	Min. Wire Size
		RLA	LRA	RLA	HP				
LHA36NSU2	208/230/-1-60	16.1	90	3.1	1/3	19.2	24	40	10
LHA36TSU2	208/230/-3-60	10.5	60	3.1	1/3	13.6	14	20	12
LHA36RSU2	460/3/60	5.2	37.0	1.8	1/2	8.5	12	15	12
LHA36ZSU2	575/3/60	4.0	36.0	2.4	3/4	6.2	12	15	12
LHA44NSU2	208/230/-1-60	19.0	100	3.1	1/3	22.1	28	40	8
LHA44TSU2	208/230/-3-60	12.0	74.0	3.1	1/3	15.1	18	25	10
LHA44RSU2	460/3/60	6.0	37.0	1.8	1/2	9.3	12	15	12
LHA44ZSU2	575/3/60	4.8	36.0	2.4	3/4	7.2	12	15	12

NOTES:

Your Local Distributor	Project:	
MITS AIRCONDITIONING INC. 1800 MEYERSIDE DRIVE MISSISSAUGA, ONTARIO L5T 1B4	Contractor:	
	Engineer:	
	Submitted By:	
	Date:	