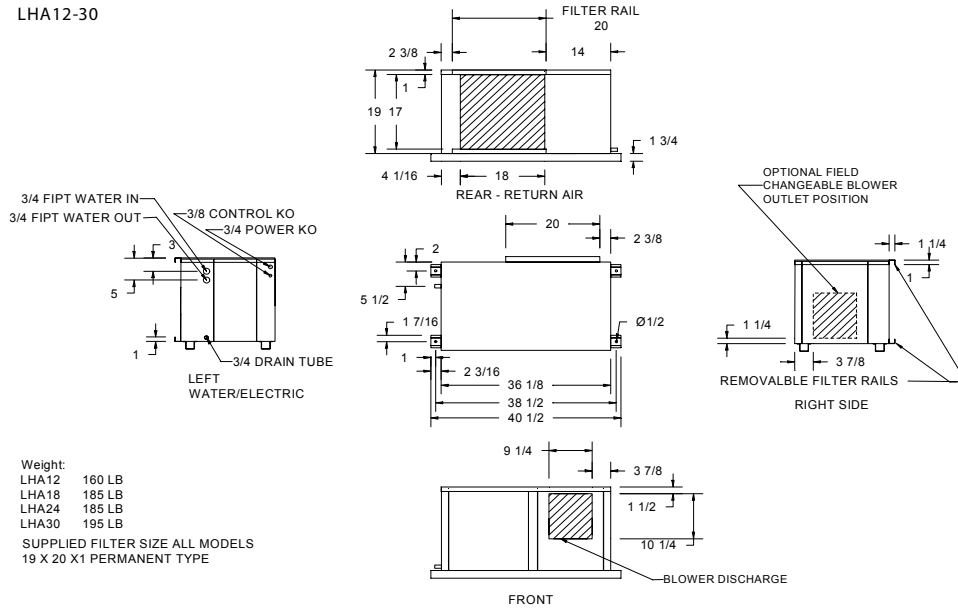


diamondAIR

SUBMITTAL

LHA12-30 Horizontal
Series Heat Pumps

LHA12-30



Weight:
 LHA12 160 LB
 LHA18 185 LB
 LHA24 185 LB
 LHA30 195 LB
 SUPPLIED FILTER SIZE ALL MODELS
 19 X 20 X1 PERMANENT TYPE

HEAT PUMP MODELS - EWT=70F / =70F PERFORMANCE DATA

NOMINAL CAPACITY	DATA					Condenser Coil ΔP (PSI)	Water Value ΔP (PSI)	Flow USGPM
	TC	TSC	THC	KW	EER			
LHA 12HP	12,421	10,222	14600	1.12	12.6	0.3	2	2.9
18HP	18,023	14,833	25000	1.64	12.6	0.4	3.5	5.0
24HP	24,197	19,914	30000	2.09	12.6	0.9	4.6	6.0
30HP	31,024	25,533	42000	2.61	12.6	2.1	6.3	8.4

TC -Total Capacity (A) Cooling capacity rating test conditions: Evaporator Air - 80°F db/67°F wb
 TSC -Total Sensible Capacity Condenser Water - 85°F EWT/95°F LWT
 THC -Total Heating Capacity (B) Units are shipped in standard sensible format. For high sensible application,
 KW -Total Power Input motor speed must be changed to the high speed tap.
 EER -Energy Efficiency Ratio (C) Total pressure drop for unit with regulating valve is sum of condenser coil drop and
 GPM -Gallons Per Minute water regulating valve pressure drop.

BLOWER PERFORMANCE (CFM)

Model	FAN SPEED	Available External Static Pressure (Inches H ₂ O including allowance for filter and wet coil)							Model
		0.10	0.20	0.30	0.40	0.50	0.60	0.70	
LHA12	HI	500	460	420	385	360	325	300	LHA12
	LO	410	395	375	355	330	305		
LHA18	HI	770	700	680	650	610	570	530	LHA18
	LO	670	650	615	570	530			
LHA24	HI	930	890	810	760	710	690	680	LHA24
	LO	750	720	690	670				
LHA30	HI	1250	1170	1120	1070	940	830	740	LHA30
	LO	1050	980	920	830	760	700		

ELECTRICAL DATA

Model	Electrical Characteristics	Compressor		Blower Motor		Unit Total FLA	Min. Circuit Ampacity	Fuse Size Time Delay	Min. Wire Size
		RLA	LRA	RLA	HP				
LHA12NSU2HP	208/230/-160	5.8	34	2.2	1/4	8	12	15	14
LHA18NSU2HP	208/230/-1-60	9.6	53	2.2	1/4	11.8	16	25	12
LHA24NSU2HP	208/230/-1-60	10.9	64	2.2	1/4	13.1	16	25	12
LHA30NSU2HP	208/230/-1-60	15.3	80	2.2	1/4	17.5	21	30	10

NOTES:

	Project:	
	Contractor:	
	Engineer:	
	Submitted By:	
	Date:	