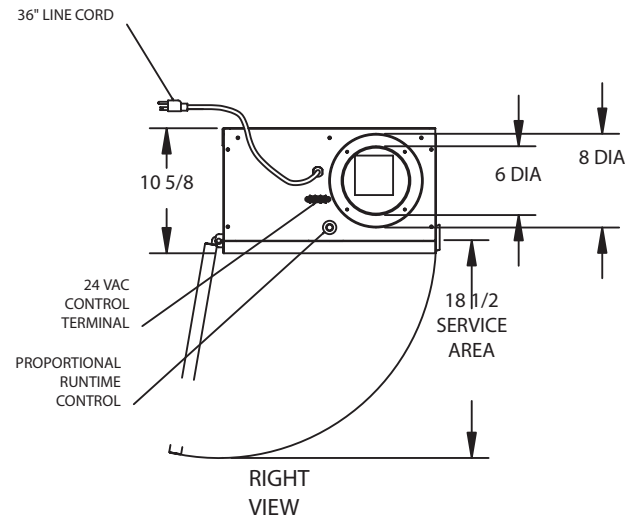


EA: Exhaust Air to outside
 OA: Outside Air intake
 RA: Room Air to be exhausted
 FA: Fresh Air to inside

TW: Through wall
 DH: Duct hung



EA: Exhaust Air to outside
 OA: Outside Air intake
 RA: Room Air to be exhausted
 FA: Fresh Air to inside

Customer Approvals

Scale: 1" = 12"
 Do not scale drawing

BR70 Dimensions

© RenewAire LLC, 2005

